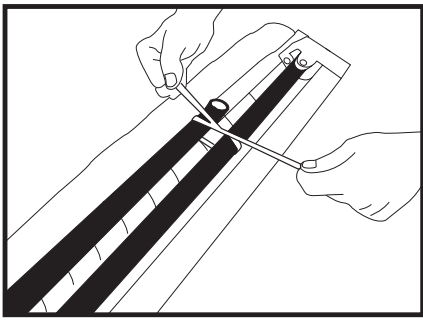
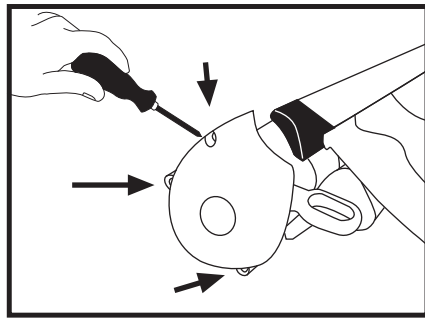




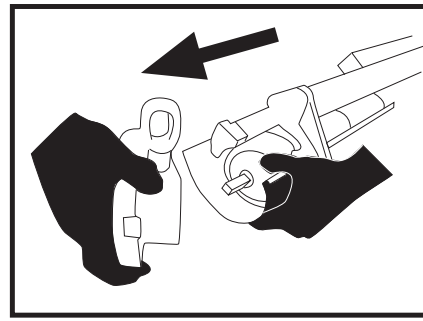
Replacing Awning Fabric Cover Instructions: (Half Cassette Awnings)



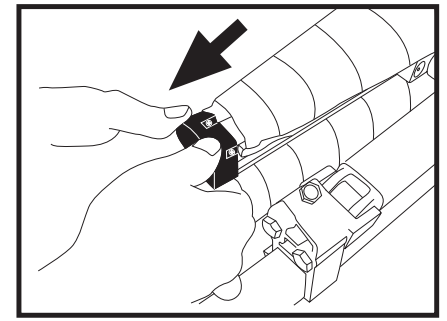
1. Tie awning arms together so they won't get in the way when replacing the fabric.



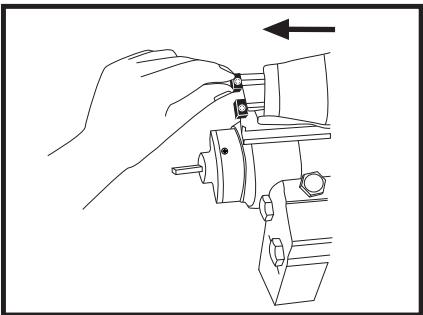
2. Remove the three screws located at side awning (lid). NOTE: usually hidden under a sticker.



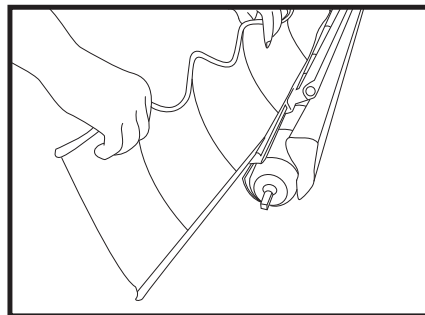
3. Remove the metal lid.



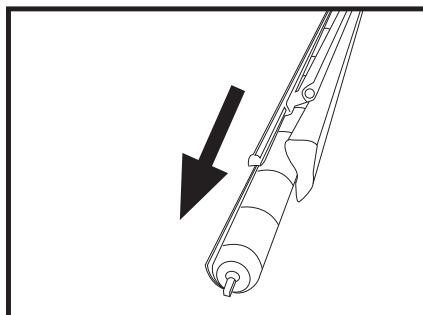
4. Remove the end cap located by the end of the valance. You will see two more screws, remove along with plug/bung.



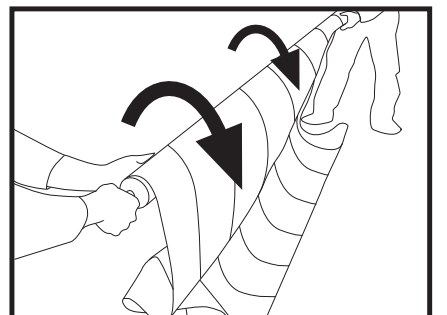
5. Slide both screw bungs out. Keep them in a safe place, you will need these later on.



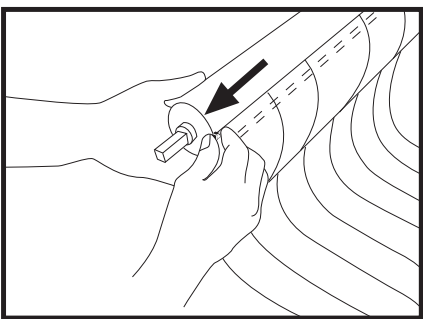
6. Slide the valance out of the valance bar.



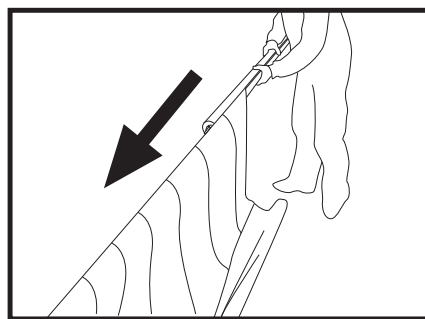
7. Slide the fabric roller out of the frame.



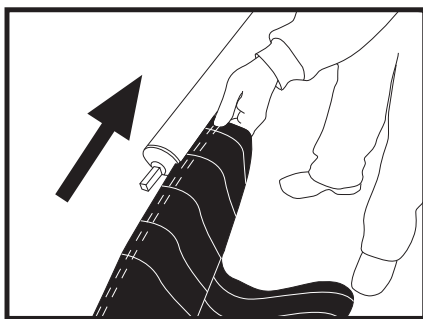
8. NOTE: Need Ideally two people to perform this task. Unroll the fabric.



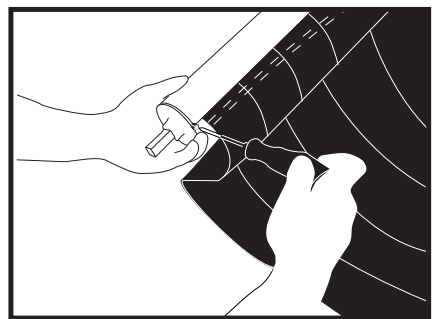
9. One more screw/bung to remove, located by the end of the fabric/roller. This keeps the fabric in place.



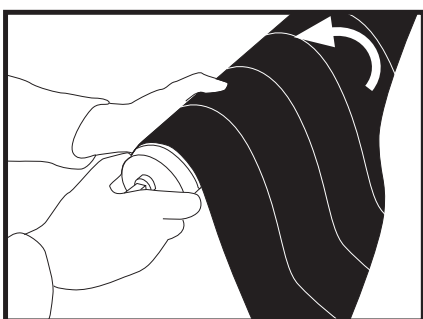
10. Slide the fabric out, one person holding the roller while the other slides the fabric.



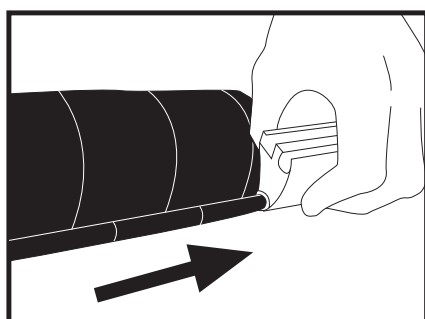
11. Replacing awning fabric cover. Slide the fabric back into the roller (find the groove)



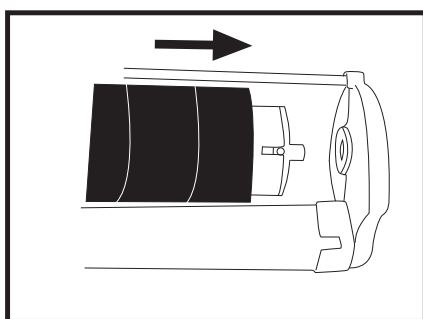
12. Tighten up the screw plug/bung.



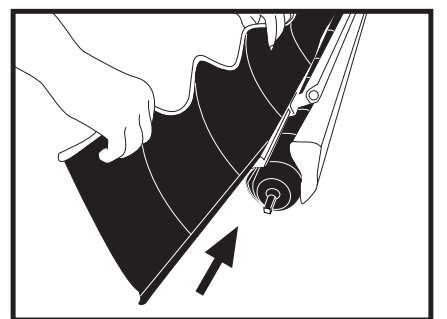
13. Carefully roll the fabric back up, making sure the fabric is aligned.



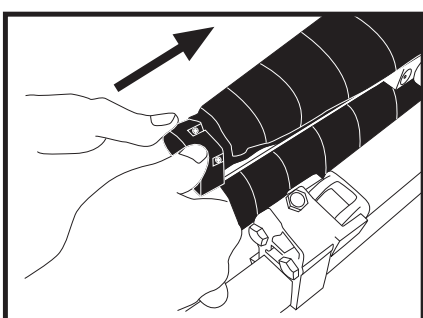
14. Once fully rolled up, slide the end of roller back into the valance bar. NOTE: Make sure the end fabric (circular part) slides into the metal (valance section)



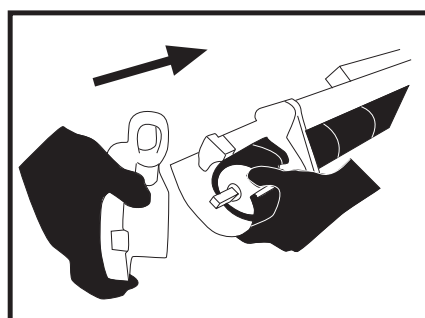
15. Slide the roller/fabric back into the frame. NOTE: Check to make sure the awning arms are still tied up so they won't get in the way.



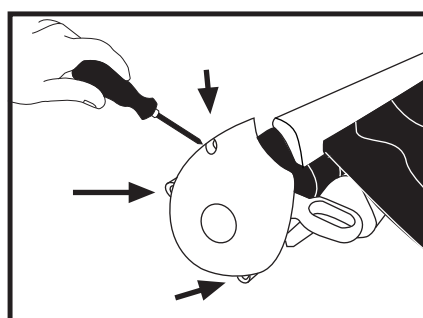
16. Slide the valance, filling bit back onto the valance bar.



17. Tighten up two plug bung screws and put the end cap back on.



18. Install the side lid back on the side of the awning.



19. Finally, tighten up three screws.